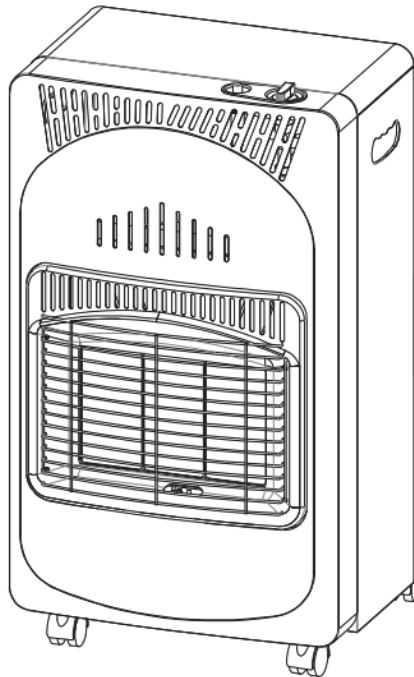


UNITED®

MODEL: UHG-842 User's Manual



FOR YOUR SAFETY, PLEASE READ THIS MANUAL CAREFULLY AND OPERATE THE PRODUCT ACCORDING TO THESE INSTRUCTIONS. KEEP THE MANUAL FOR FUTURE REFERENCE.

For your safety - If you smell gas:

1. Shut off gas to the appliance
2. Extinguish any open flame.
3. Take off your gas cylinder valve. If odor continues, keep away from the appliance and immediately call your gas supplier or your fire department.

This product is not suitable for primary heating purposes

21
0063



Safety advice and warnings!

Read these instructions carefully before switching on the appliance and keep them for future reference. Failure to follow and observe these instructions could lead to an accident. Clean all the parts of the product as indicated in the cleaning section, before use.

Use and operating instructions:

1. This appliance is designed solely for domestic use and for the designated purpose.
2. Do not use the appliance outdoors.
3. Use the appliance in a well ventilated area.
4. Do not subject the appliance to heat, direct sunshine or very high moisture (e.g. rain).
5. Never immerse the appliance in liquids and be aware of sharp edges that may damage it.
6. Keep children and bystanders away when using this appliance.
7. Do not place flammable materials near the appliance.
8. Do not use the appliance in association with a programmer, timer or other device that automatically switches it on.
9. Do not use the appliance if it has fallen on the floor or if there are visible signs of damage.
10. The appliance is not suitable for outdoor use.
11. Ensure the room is ventilated while the heater is in operation. Do not operate in a bedroom, caravan, boat or any confined spaces.
12. Do not place the heater near walls, curtains or furniture while in operation. Always face the heater towards the center of the room during operation.
13. Do not place objects on or against the heater.

Personal safety:

1. CAUTION: Do not leave the appliance unattended during use as there is a risk of an accident.
2. Do not touch the heated parts of the appliance, as it may cause serious burns.
3. This appliance is only for domestic use, not for industrial or professional use. It is not intended to be used by guests in hospitality environments such as bed and breakfast, hotels, motels, and other types of residential environments, even in farm houses, areas of the kitchen staff in shops, offices and other work environments.
4. This appliance is not intended for use by persons (including children) with reduced physical, sensory or mental capabilities, or lack of experience and knowledge, unless they have been given supervision or instruction concerning use of the appliance by a person responsible for their safety.
5. This appliance is not a toy. Children should be supervised to ensure that they do not play with the appliance.

Use and care:

1. Do not use the appliance if the parts or accessories are not properly fitted.
2. Do not turn the appliance over while it is in use.
3. This appliance should be stored out of reach of children.
4. Do not store the appliance if it is still hot.
5. Never leave the appliance unattended when in use and keep out of the reach of children.
6. This appliance needs to be tested for leaks before initial use and whenever the cylinder has been reconnected after being filled.
NEVER USE NAKED FLAME TO TEST FOR LEAKS.

NOTE: The heater incorporates several safety devices that will shut down the heater in unsafe conditions.

ODS (Oxygen depletion system).

In case of accidental flame failure, the gas heater will shut down automatically.

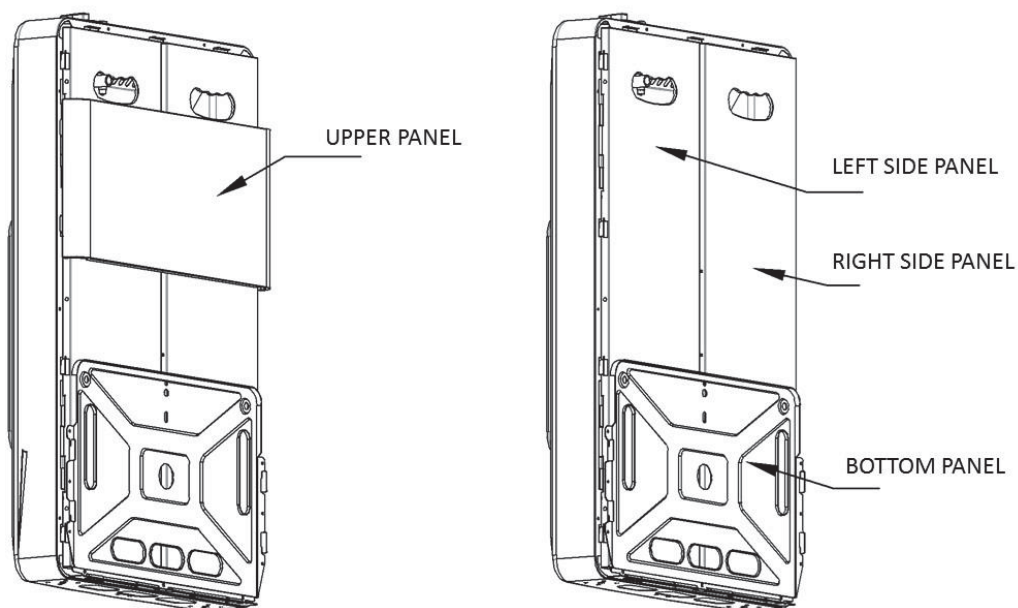
The Tip Over Switch will turn off the heater if it is not standing upright on a level surface.

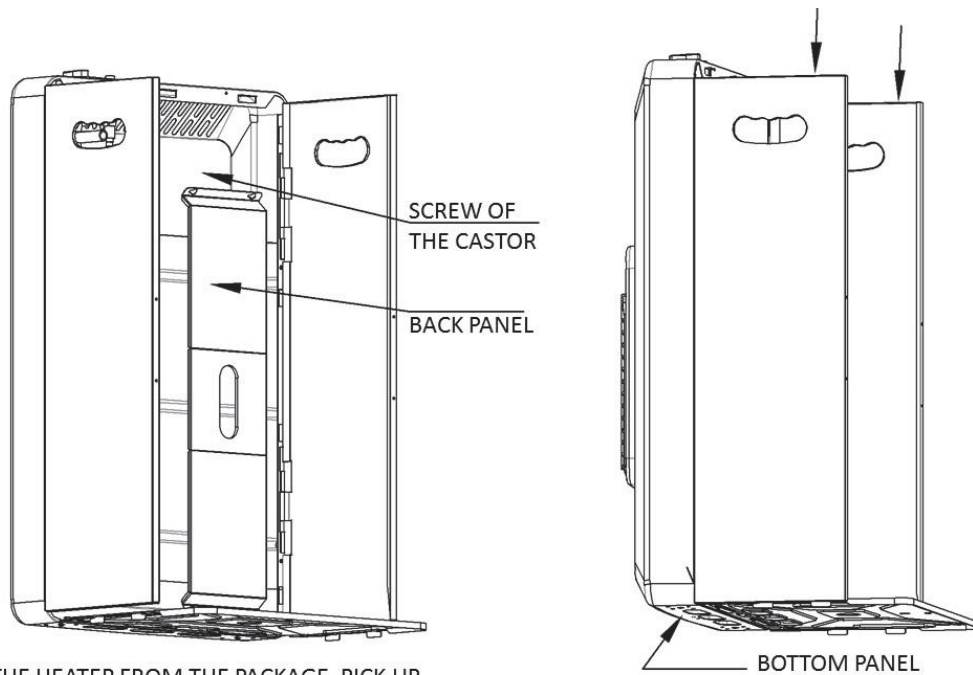
If this activates, set the heater upright, check for obvious damage and wait 10-15 minutes before attempting to re-ignite the heater. This device may also operate if the heater is knocked against or bumped.

Service:

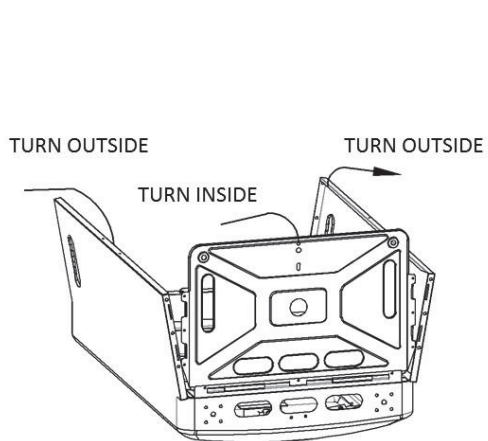
1. Make sure that the appliance is serviced only by a suitably qualified technician, and that only original spare parts or accessories are used to replace existing parts/accessories.
2. Any misuse or failure to follow the instructions for use renders the guarantee and the manufacturer's liability null and void.

ASSEMBLY INSTRUCTIONS

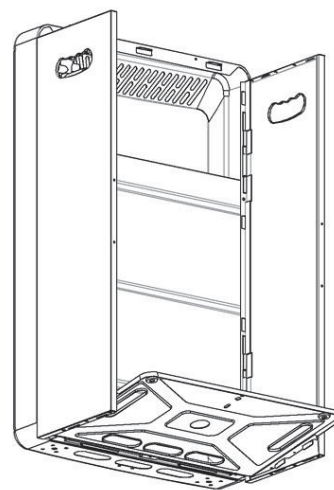




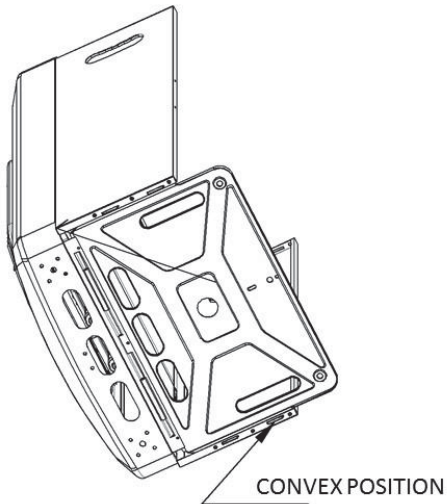
1. REMOVE THE HEATER FROM THE PACKAGE, PICK UP THE SCREW, CASTOR AND THE BACK PANEL.



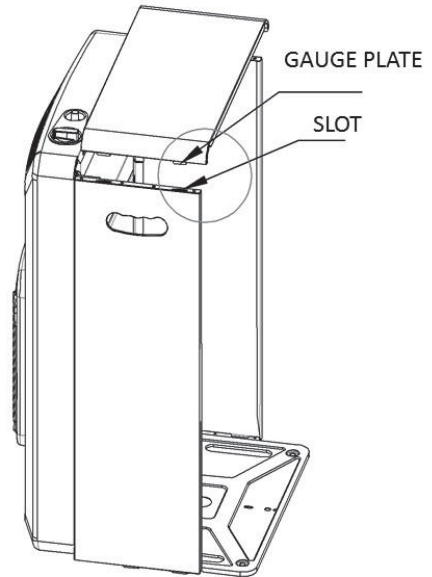
2. TURN THE LEFT SIDE AND RIGHT SIDE PANELS OUT, AT A 10° ANGLE AND THEN FLIP THE BOTTOM PANEL IN.



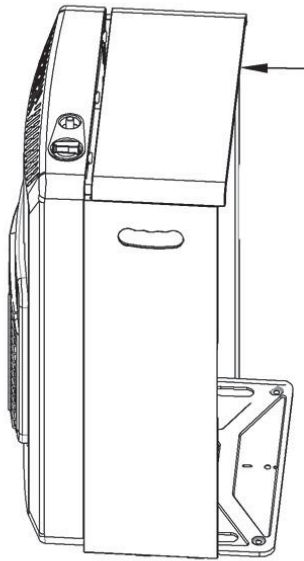
3. SLOT THE LEFT AND RIGHT PANEL INTO THE BOTTOM PANEL. MAKE SURE TO LINE IT PROPERLY.



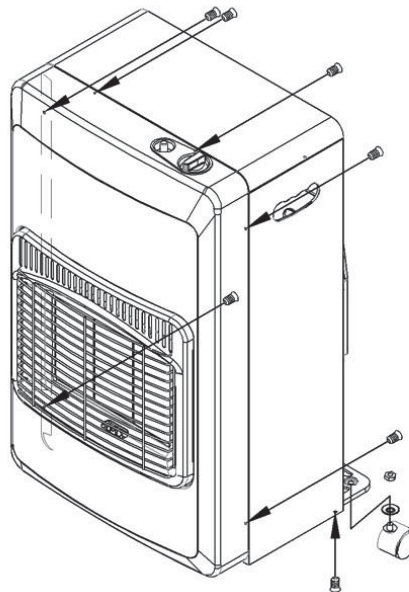
4. MATCH THE POSITION, FASTEN LEFT AND RIGHT SIDE PANEL WITH BOTTOM PANEL



5. PUT THE UPPER PANEL ON TOP OF THE HEATER MATCHING THE POSITION



6. PUSH THE UPPER PANEL TO FASTEN THE LEFT AND RIGHT SIDE PANEL AND THE FRONT PANEL



7. FASTEN WITH THE SCREWS FOLLOWING THE ARROWS IN THE PICTURE. INSTALL THE BACK PANEL AND CASTORS

Installing the heater

1. After the heater has been removed from its packaging, remove the back panel from inside the back cavity.
2. Place the filled gas cylinder into the back of the heater with the valve outlet facing outwards.
3. Screw the correct regulator onto the outlet of the gas cylinder valve clockwise. Turn by hand only. Do not use a spanner. Screw on until the nut is fully secured.

4. **IMPORTANT TEST for leaks:** This must be carried out in a well-ventilated area, free from any open flames or other sources of ignition. With the regulator connected to the cylinder, turn on the gas cylinder valve 1 and 1/2 turns anti-clockwise. Brush all hose connections, pipe connections to the gas valve, regulator connection to the cylinder and gas cylinder valve with a 50:50 solution of detergent and water. A stream of bubbles forming is an indication of a leak. If a leak is found, turn off the cylinder valve (clockwise), disconnect the regulator from the gas cylinder and remove the gas cylinder to a cool, outdoor well-ventilated area. Contact your dealer or gas supplier for assistance.

DO NOT USE THE HEATER IF A LEAK IS FOUND.

DO NOT USE A NAKED FLAME FOR LEAK TESTING.

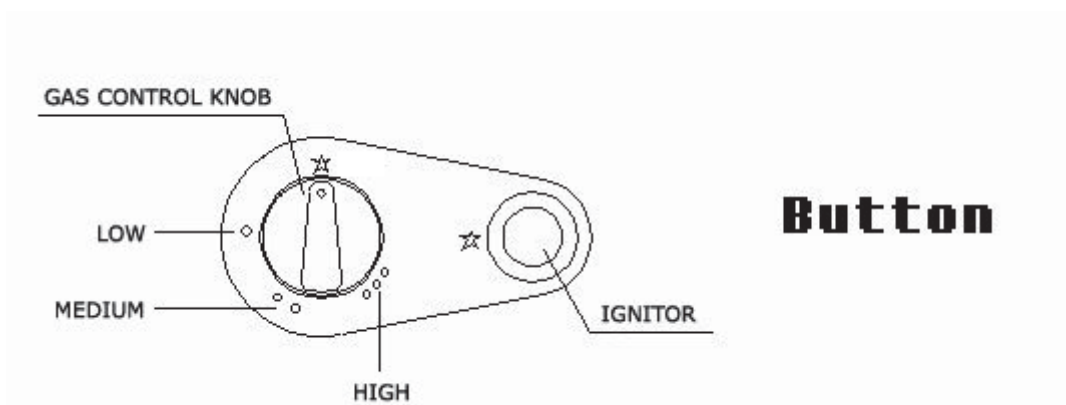
DO NOT OPERATE ANY ELECTRICAL EQUIPMENT IN THE PRESENCE OF A GAS LEAK.

5. After leak-testing has passed, fit the rear panel onto the heater. It may be necessary to twist the cylinder slightly to allow the regulator and hose to fit inside the back panel without kinking the hose.

Lighting Instructions:

The heater can be regulated to three different settings: 1-LOW, 2-MEDIUM and 3-HIGH. Ignition mode: piezo ignition.

- Open the valve on the heater cylinder 1 and 1/2 turns.
- Press down and turn the control knob to 1-LOW position and hold for 10 seconds.
- While still pressing down the pilot light, press once or twice on the ignition button until the pilot light (at the bottom of the burner) ignites. Continue to hold the control knob down for 10-15 seconds more. Release the button, and if the pilot flame goes out, repeat the above operation.



Note: when lighting a new heater for the first time, it might be necessary to hold the control knob down for longer time in order to allow gas to flow to the pilot.

Once the heater is on at the 1-LOW setting, turn the control knob to 2-MEDIUM or 3-HIGH position in order to light the second and third panel respectively.

To turn off the heater, turn back the control knob to position  and close the cylinder valve fully (clockwise). **The heater can only be turned off by closing the cylinder valve. It can not be turned off by the control knob.**

Changing the cylinder:

Turn off the cylinder valve fully (clockwise) and allow the heater to fully cool before removing and replacing the cylinder. Do not attempt to remove the regulator while the heater is still running.

IMPORTANT: You should purchase a suitable gas cylinder for this heater. The cylinder will require purging of air the first time it is filled, to ensure correct operation of the heater. This should be carried out by the gas filling station. Your cylinder should be checked for safe operation each time.

Maintenance:

- Before maintenance and cleaning, the gas heater supply must be turned off, and the heater should have been cooled down. Don't attempt to clean the heater while it is in use.
- The heater should be checked annually by a qualified technician to ensure safe operation and detect any faults.
- In case any faults are detected while in use, stop using the heater and contact the authorized service.
- Periodically clean the exterior and storage area of your heater to remove dust and fuzz build upon the surfaces of the ceramic components.
- Do not use abrasive products to clean the heater.
- Check the pilot light while it is operating. It should burn steadily. If it flickers or there is a yellow flame, the heater should be checked to make sure it functions properly.
- In case any parts need replacement, they must be replaced only with parts from the original manufacturer. The use of incorrect or substitute parts might be dangerous and will void any warranty.

When the heater is not in use, we recommend that it is covered, or kept in its carton to minimise the accumulation of dirt that may occur.

Important advice

Read the instructions in this manual carefully. It includes important information both for operating the device and your safety.

Maintenance and repairs must be carried out by a qualified technician only.

Your heater should be checked annually by a qualified technician to ensure safe operation and detect any faults.

Keep these instructions for future reference. If necessary, a new copy may be obtained from your dealer.

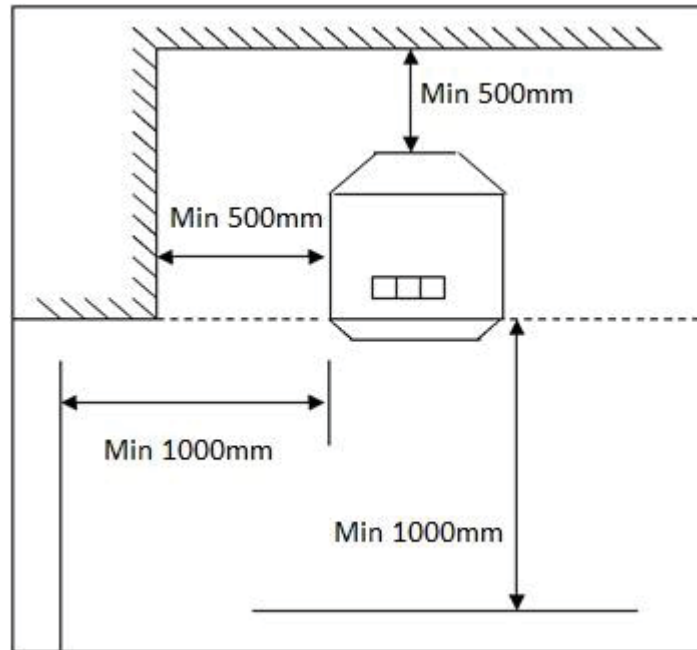
IF YOU SMELL GAS:

- Turn off gas supply at the bottle
- Extinguish all naked flames;
- Do not operate any electrical appliances
- Ventilate the area
- Check for leaks as detailed in this manual

If odor persists, contact your dealer or gas supplier immediately

Safety Information

- This is a flueless heater. Ensure the room is ventilated while the heater is in operation. Do not operate in a bedroom, caravan, boat, or any room smaller than 80cbm.
- Do not place the heater near walls, curtains or furniture while in operation. The heater must be always facing towards the center of the room. The correct position is indicated in the picture below:



- The heater **must not** be moved while operating.
- Do not place objects on or against the heater.
- The grid on this appliance conforms to standard requirements. It does not give full protection for young children. The grid is to prevent risk of injury and no part of it should be removed or altered.
- This appliance needs testing for gas leak before initial use and whenever the cylinder has been reconnected after filled. **NEVER USE A NAKED FLAME TO TEST FOR POSSIBLE LEAKS.**
- Always turn off the gas cylinder valve whenever the heater is not in use.

BURN-BACK (FIRE IN BURNER TUBE OR CHAMBER)

In the event of a burn-back, where the flame burns back to the jet, immediately turn the gas supply off at the control valve on the panel. After ensuring the flame is extinguished, wait for 1 minute and relight the appliance in the normal manner. If the appliance burns back again, close the control valve and call a service technician. Do not use the appliance again until the service technician has declared that it is safe for use.

GAS-PRESSURE REGULATOR

This appliance requires an operating pressure of 2,8 kPa at the appliance. A suitable LPG regulator is included in the packaging.

TROUBLESHOOTING

Symptoms	Cause	Corrections
Heater fails to ignite	<ul style="list-style-type: none"> • Gas cylinder depleted. • Gas regulator not properly secured. • Gas cylinder valve not open properly. 	<ul style="list-style-type: none"> ➤ Ensure that gas cylinder is at a sufficient level. ➤ Ensure that the gas cylinder valve is open to the desired position.
Heater fails to stay ignited	<ul style="list-style-type: none"> • The heater is not placed on a level surface. • The oxygen level in the area the heater is being used is not sufficient. • The gas level in the gas cylinder is depleted. 	<ul style="list-style-type: none"> ➤ Ensure that the heater is placed on a level surface as it is fitted with a tip over switch that will eliminate the gas supply to the heater. ➤ Ensure that the heater is placed in a well ventilated area as it requires sufficient oxygen to stay ignited. ➤ Investigate the condition of the gas cylinder to ensure that it has sufficient gas left.
Heater fails to ignite after gas cylinder change	<ul style="list-style-type: none"> • Pipe and clamps are not fastened correctly. • Not sufficient gas at burners for pilot light to ignite. • Gas cylinder is not levelled correctly, kinks are present in the supply pipe. 	<ul style="list-style-type: none"> ➤ Ensure that all clamps from the gas regulator and gas cylinder is properly fastened. ➤ Allow enough time by holding down the control knob for the gas (Max: 15sec Note: always ignite the heater by standing at the back of it and not to the front of it.) ➤ Ensure that the gas cylinder is placed properly at the back of the heater and that there are no kinks present on the supply pipe.

Information requirements for gaseous / liquid fuel local space heaters								
Model identifier(s): UHG-842								
Indirect heating functionality: [No]								
Direct heat output: 4.2 (kW)								
Indirect heat output: N/A (kW)								
Fuel						Space heating emissions		
						NOx		
Select fuel type			[gaseous]			G30		
						7.6 [mg/ kWh _{input}] (GCV)		
Item		Value	Unit	Item		Symbol	Value	Unit
Heat output				Useful efficiency (NCV)				
Nominal heat output	P _{nom}	4.2	kW	Useful efficiency at nominal heat output	η _{th,nom}	100	%	
Minimum heat output (indicative)	P _{min}	N/A	kW	Useful efficiency at minimum heat output (indicative)	η _{th,min}	N/A	%	
Auxiliary electricity consumption				Type of heat output/room temperature control (select one)				
At nominal heat output	e _{lmax}	N/A	kW	Single stage heat output, no room temperature control	[No]			
At minimum heat output	e _{lmin}	N/A	kW	Two or more manual stages, no room temperature control	[Yes]			
In standby mode	e _{lsb}	N/A	kW	With mechanic thermostat room temperature control	[No]			
				With electronic room temperature control	[No]			
				With electronic room temperature control plus day timer	[No]			
				With electronic room temperature control plus week timer	[No]			
				Other control options (multiple selections possible)				
				Room temperature control, with presence detection	[No]			
				Room temperature control, with open window detection	[No]			
				With distance control option	[No]			
				With adaptive start control	[No]			
				With working time limitation	[No]			
				With black bulb sensor	[No]			
Permanent pilot flame power requirement								
Pilot flame power requirement (if applicable)	P _{pilot}	0.17	kW					
Contact details	Amiridis – Savvidis S.A. 87A, 17th Noemvriou str, P.C. 55535 Thessaloniki – Greece T: +302310944944 F: +302310944940							
(*) NOx = nitrogen oxides								

Product Fiche	
Brand	UNITED
Model	UHG-842
Energy efficiency class	A
Direct heat output	4.2 kW
Indirect heat output	N/A
Energy efficiency index (EEI)	88.98
Useful energy efficiency at nominal heat output	100%
Useful energy efficiency at minimum load	N/A
<ul style="list-style-type: none"> - Do not move the device while it is in operation. - When the heater is in use, keep it away from flammable materials, such as curtains. Do not use it to dry clothes. - Keep the device away from draughts. - Keep the device away from children and pets. - Do not leave the device unattended while it is operating. - While the device is on, place it in a location that does not prevent the passage of a room. - Replace the bottle outdoors. Make sure the valve is completely closed before removing the pressure regulator. - When changing the bottle, check that the rubber seal is in the correct position in the pressure regulator and in good condition before connecting the bottle. - Replace if it is not in good condition. - After changing the bottle, check for possible leakage as described in the manual. - Make sure the bottle is positioned so that the pressure regulator is facing the back of the device and the hose is away from the heat emission area. Check that there are no twists in the pipe. - Buy a dry powder fire extinguisher to help you manage the fire. 	

NOTICE ABOUT RECYCLING



Your product is designed and manufactured with high quality materials and components which can be recycled and reused.

This symbol means that electrical and electronic equipment, at their end-of-life, should be disposed of separately from your household waste. Please dispose of this equipment at your local community waste collection/ recycling centre.

In the European Union there are separate collection systems for used electrical and electronic products.

Please help us to conserve the environment we live in!

DECLARATION OF CONFORMITY

Herewith, Amiridis-Savvidis S.A. states that this product, complies with the requirements of below directives:

Commission Regulation (EU) 2016/426

ErP Directive 2009/125/EC

CE-marking Directive 1993/68/EEC



The detailed declaration of conformity can be found at www.united-electronics.gr

Exclusive importer in Greece:

Amiridis – Savvidis S.A.

87A, 17th Noemvriou str, P.C. 55534

Thessaloniki – Greece

T: +302310944944 | F: +302310944940

www.amiridis-savvidis.gr